

Site work, storage and handling guidance

General site work

It is important to note that any unevenness of the framework to which the cladding panels are affixed may be reflected in the finished surface. Special attention must be paid to the accuracy of frame spacing, alignment, level, joint widths, panel layout and fixing arrangements.

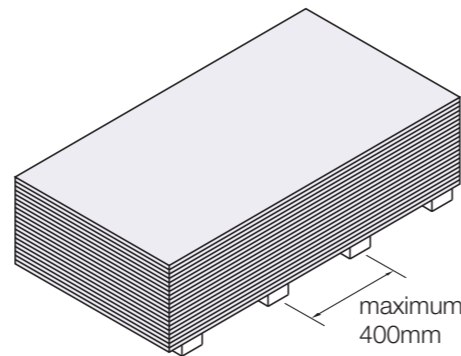
Storage

Panels are supplied with protective paper or plastic between the decorated faces. This protection should not be removed, nor should panels be placed face to back before fixing.

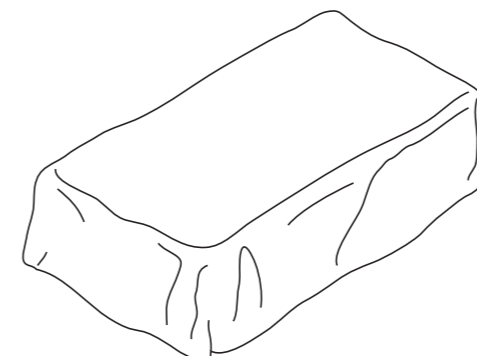
All Marley Eternit high performance materials must be stored flat on pallets, inside and undercover in dry conditions, protected from weather and other trades. If moisture is allowed to penetrate between the stored sheets, permanent surface staining may occur.

Handling

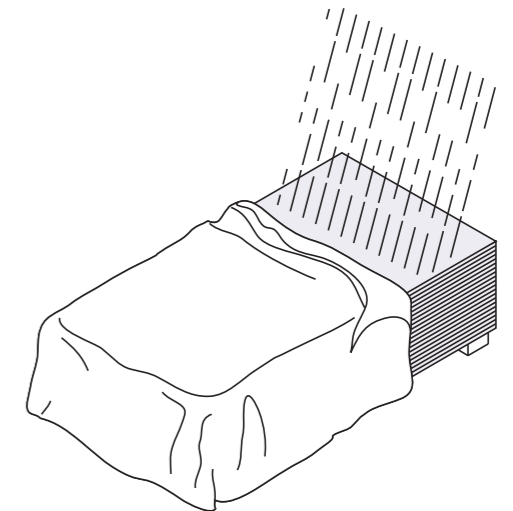
Always lift panels off each other, never slide as scratching may occur. To carry panels stand on edge and lift with two people (one person at each end) protecting the face from scratching or damage.



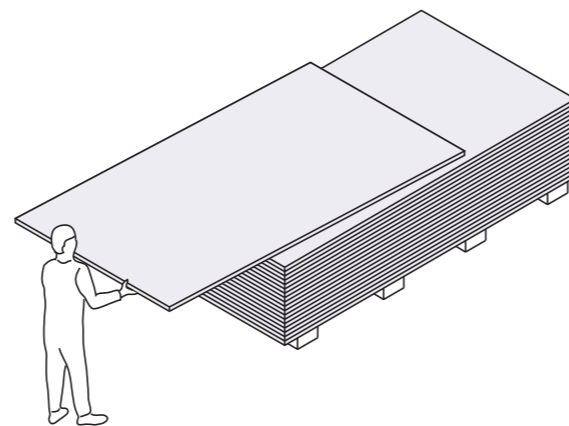
Stacked on a level surface



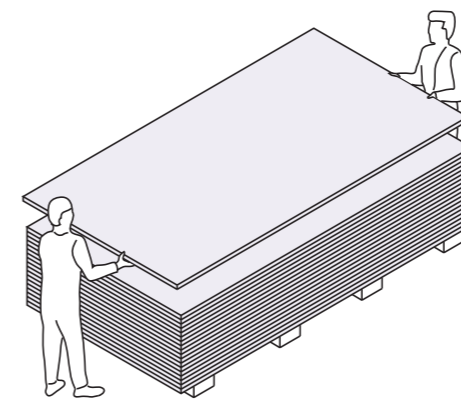
Store under cover



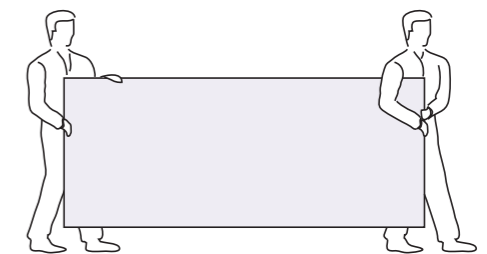
Must be protected from the weather



Do not drag sheets off the stack



Sheets must be lifted off the stack



Carry on edge but do not store on edge

Customer Services

Tel 01283 722588 Fax 01283 722219 E-mail info@marleyeternit.co.uk www.marleyeternit.co.uk



an **Etex** GROUP company